



I1000M Rough-In Instructions

Thank you for purchasing an IntraSonic product. Our products are built to provide you with years of high quality sound.

If you need assistance with the installation or operation of this product please contact our Customer Support team at 1-877-435-0670 for assistance. You may also get information on this and other IntraSonic products on our web site at www.intrasonictechnology.com.

Safety Instructions

- To reduce the risk of electric shock, the I1000M must be installed by a qualified installer or dealer.
- Please read the instruction manual in its entirety before installing the I1000M.
- Please do not attempt to remove or repair the I1000M. Call a qualified installer or dealer.
- The apparatus shall not be exposed to dripping or splashing. No objects filled with liquids, such as vases, shall be placed on the apparatus.



Do's and Don'ts

Don'ts

- ✓ Expose to moisture.
- ✓ Locate master or inside room stations back to back or facing one another.
- ✓ Install inside, patio or outside room stations closer than 10 feet to one another.
- ✓ Locate master or inside/outside room stations in the same wall cavity with any other electrical wiring.
- ✓ Use with un-approved products.
- ✓ Staple cables or splice wires.
- ✓ Install cables near dimmer controls or florescent light fixtures. Please keep at least 18 inches from any AC wire. This can cause humming or buzzing noises.
- ✓ Install near sharp objects. Air conditioning ducts and metal plates may damage cables.
- ✓ Exceed more than 300 feet for each run of wire for room, patio or door stations.
- ✓ Daisy chain.

Do's

- ✓ Install by qualified installer or dealer.
- ✓ Use approved products with I1000M.
- ✓ Install a dedicated 110V line to the master. Not having a dedicated 110V line to the master may cause popping, humming or buzzing noises.
- ✓ Locate away from any heat sources.
- ✓ Label all wire runs.
- ✓ Homerun each individual cable.
- ✓ Only one auxiliary input can be installed.



Wiring

The I1000M installs with standard CAT5 wire. A RJ45 connector must be installed at both ends of wire runs.

- ▶ Maximum length for each individual wire run is 300 feet for room, patio and door stations.

Maximum of room, patio and door Speakers

The system is designed to handle a specific number of room and door stations. At no time should you install more room or patio stations then specified.

- ▶ Maximum 20 stations including room, patio and door.
- ▶ Maximum 5 door stations.

8-Ohm Speakers

The I1000M is designed to be used with most 8-ohm 30 watt speakers. There could be a loss of speaker volume when used with higher wattage speakers. The use of speakers rated less than 8-ohm could result in system damage.

Tools needed

The I1000M should be installed in a new construction home. Below are tools needed for installation:

- Tape measure
- Leveler
- Wire stripper and cutter
- Crimp tool
- Hammer
- Nails
- Drill with appropriate drill bit

Wall housing

First locate where the home owner wants the master, room, patio and door stations installed. The master and room stations should be approximately 50 inches from the floor. Please refer to the do's and don'ts.

Have a qualified electrician run a dedicated 110V line to where the master will be mounted. Locate the I1000H wall housing and install between the wall studs before drywall is installed. The dimension of the rough-in box is 14 3/8" X 5 11/16" X 3 1/8". Use 4 nails and a level to mount the wall housing to the studs. Make sure the hook for the third arm is on top as you install the wall housing.

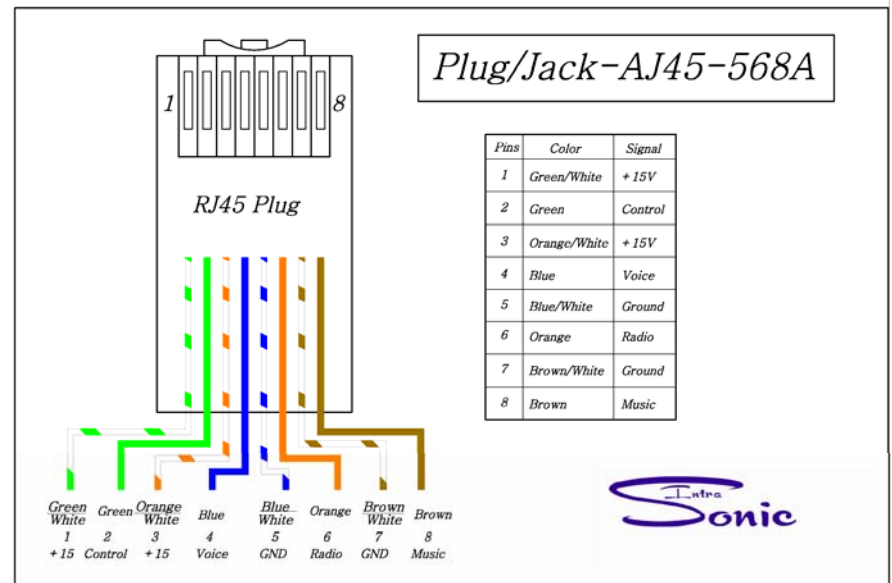
Antenna

To limit interference with radio reception, keep away from other power sources. Run the antenna supplied with the wall housing inside the wall or attic as high as possible. The end of antenna with the connector should remain in the wall housing for connection to the master.

Room and patio station

Locate all room (I1000R) or patio stations (I1000P) that will be installed. Install a standard deep "Romex" style plastic 2-gang box to each location approximately 50 inches off the floor. The suggested manufacture brand of the 2-gang box would be Carlon, model number B232 series and BH235 series. Run a CAT5 cable to each room and patio location from wall housing. Remember, the maximum length of each run is 300 feet. Leave a service loop of approximately 10 inches of wire inside each 2 gang box and wall housing. Follow the color diagram below and crimp an RJ45 at both ends. Test for shorts. Make sure to label each cable at both ends.

(Figure 1)





Ceiling or in-wall speakers

Locate where each ceiling or in-wall speakers will be located. From the 2 gang box run a 2 conductor 16 gauge cable to the location of the ceiling or in-wall speaker. Make sure to leave a service loop of at least 10 inches of cable and label both ends.

Door stations

Locate where all door stations (I1000D) will be installed. Run a CAT5 cable to each individual door location from the wall housing. Remember, the maximum length of each run is 300 feet. Install a standard deep "Romex" style plastic 2-gang box to a stud approximately 50 inches off the floor. Only new construction 2-gang box can be used. Use manufacture brand Carlon, model number B232 series and BH235 series. Leave an approximately 10 inches of service loop of wire in the box and label both ends. Follow the color diagram above in figure 1 and crimp RJ45 to each CAT5 cable on both ends. Test for shorts.

External Sources used with auxiliary input

Locate where the external source (AUXWP) will be located. Install a single gang box at the location and run a CAT5 cable to the location from the wall housing. Follow the color diagram above in figure 1 and crimp RJ45 to each CAT5 cable on both ends. Test for shorts.

Door or gate release

Locate where each door release unit (I1000DR) will be located. Install a single gang box at the location hidden from normal view; like a closet. Run a standard 16 gauge 2 conductor cable from a 12 Volt DC or AC (step down) transformer to the door release unit (I1000DR). Run another 16 gauge 2 conductor cable from the door release unit (I1000DR) to the door. The maximum length of wire from the door station (I1000D) to the door release unit (I1000DR) is 300 feet. Follow these instructions for each door station with door release option.



IntraSonic Technology 2 Year Limited Warranty

IntraSonic Technology warrants its products to be free of manufacturing defects for two years from the date of closing or actual installation. This warranty only applies to products purchased from authorized dealers or distributors. If proof of installation cannot be supplied, the manufacturing date code may be substituted. This warranty extends to the original user or subsequent owner of the product during the warranty term. IntraSonic Technology will replace or repair the product at its option at no charge with a rebuilt or new product. All products with manufacturing defects must be returned to IntraSonic Technology.

If an IntraSonic Technology product is determined to have a manufacturing defect, please call our toll free number (877-435-0670) before any attempt to dismantle or repair the product. Any attempt to dismantle or repair product will void the warranty.

A RMA (Return Material Authorization) will be required prior to returning a product to IntraSonic Technology. To obtain an RMA number, call our toll free number (877-435-0670) and speak with a customer service representative. All products returned to IntraSonic Technology without an RMA will be refused.

The limited and extended warranty is in lieu of any other warranties, expressed or implied and any other obligations or liability on the seller's part. The limited or extended warranty does not cover service calls, damage caused by improper installations, acts of god, or violation of building or electrical codes. Extended warranty cannot be purchased after the original warranty has passed or been voided.

IntraSonic Technology will not be liable for consequential, incidental or other damage arising in connection with use or inability to use this product. In no event shall IntraSonic Technology's liability hereunder exceed the cost of the product covered hereby. No person is authorized to assume for IntraSonic Technology or obligate IntraSonic Technology for any other liability in connection with the sale of this product. Some states do not allow the exclusion or limitation of consequential, incidental damage, so the above limitation or exclusion may not apply. This limited warranty gives you specific legal rights, and you may also have other rights, which may vary state to state.